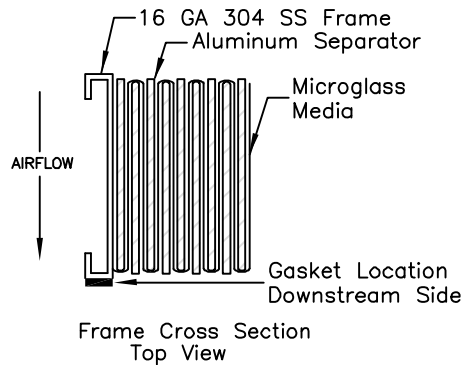
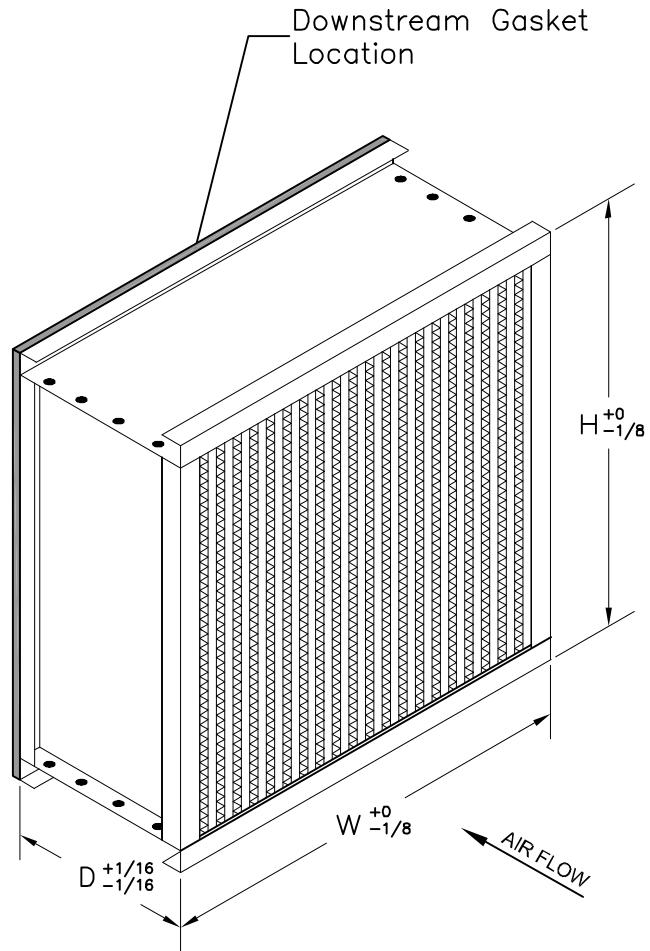


Construction Code	Actual Size (Inches) H x W x D	Rated Air Flow (CFM)	Initial Resistance (In. W.G.)	Media Area (Square Feet)	Efficiency (0.3 micron)
H2424B00-0JBB29000	24 X 24 X 11-1/2	1000	1.00"	201	99.97% (Overall)
H2323B33-0JBB29000	23-3/8 X 23-3/8 X 11-1/2	1000	1.10"	188	99.97% (Overall)
H2424B00-0JBB2900F	24 X 24 X 11-1/2	2000	1.35"	301	99.97% (Overall)
H2323B33-0JBB2900F	23-3/8 X 23-3/8 X 11-1/2	2000	1.45"	286	99.97% (Overall)




**STANDARD CONSTRUCTION**

1. Micro-Glass Dual Phase Fiber Media
2. 16 Gauge 304 Stainless Steel
3. Double Turned Flange Construction
4. 1/4 x 3/4 HT Red Silicone Gasket  
Air Leaving Side of Filter
5. HT Red Silicone Sealant
6. Corrugated Aluminum Separators

**NOTES**

1. Testing per IEST-RP-CC001
2. Product Individually Certified at Factory
3. Rated Velocity  
Standard Capacity 250 FPM  
High Capacity 500 FPM
4. Maximum Operating Temperature 500 deg F
5. Classified per UL Standard 900 for Flammability
6. Optional Gasket Locations Available
7. Special Sizes and Configurations Available

	HVAC Filtration Division 100 River Ridge Circle Jeffersonville, IN 47130 P: 866-247-4827 F: 866-601-1809	<b>TOLERANCES UNLESS OTHERWISE SPECIFIED</b>		DRAWING NAME <b>PARKER MICROGUARD HT</b>	
		FRACTIONAL — DECIMAL — ANGLES —	APPROVED BY <i>K. Quinn</i> SPECIFICATION NO. <b>MKT-B-00739</b>		PAGE <b>1 OF 1</b>
<b>CONTACT FACTORY TO VERIFY REVISION LEVEL</b>		SCALE <b>NONE</b>	DWG. SIZE <b>A</b>	REVISION <b>A</b>	REVISION DATE <b>09-10-19</b>
<small>THIS MATERIAL IS PROPRIETARY, BEING EXCLUSIVELY OWNED BY PARKER HANNIFIN CORPORATION. THE EXPRESSION OF THE INFORMATION CONTAINED HEREIN IS PROTECTED UNDER FEDERAL COPYRIGHT LAWS. ALL RIGHTS RESERVED.</small>					

ALL DIMENSIONS IN INCHES